



Product Technical Specification

Code : **03571**

Switch Mode Transformer 5W 60kHz 2.2mH 5V

Class Code : **1335.0032**

Date : 30.09.2011

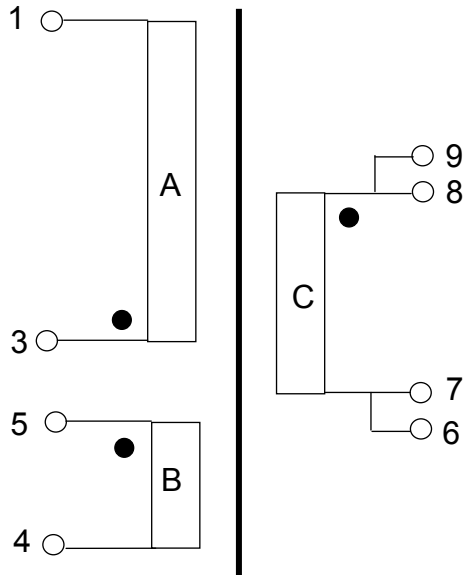
Revision: 03

Page 1 of 2

APPLICATION

FLYBACK TRANSFORMER

ELECTRICAL SCHEME



TECHNICAL SPECIFICATIONS

INDUCTANCE

(TEST CONDITION: 1KHZ, TA 20°C)

PIN 3-1	2.2mH ± 15%
PIN 5-4	93uH ± 15%
PIN 9/8-7/6	11.7uH ± 15%

RESISTANCE

(TEST CONDITION: D.C, TA 20°C)

PIN 3-1	2.8Ω MAX
PIN 5-4	756mΩ MAX
PIN 9/8-7/6	54mΩ MAX

TRANSFORMER RATIO

(MEASURE 10KHZ, WITH TOLERANCE ±0.5T, TA 20°C)

PIN 3-1 ↔ 5-4	5 NOM
PIN 3-1 ↔ 9/8-7/6	13.9 NOM

LEAKAGE INDUCTANCE

2.2% NOM

(TEST CONDITION: PIN 1-3, 4-5-6-7-8-9 S.C., F 10KHZ, TA 20°C)

SATURATION CURRENT

0.4A_P MAX

(TEST CONDITION: 1-3, B_{SAT} 0.35T, TA 20°C)

OPERATING CURRENT

0.34A_P MAX

(TEST CONDITION: 1-3, P_{MAX} 5W, F 60KHZ, TA 20°C)

OPERATING FREQUENCY

60KHZ NOM

(P_{MAX} 5W, TA 20°C)

AMBIENT TEMPERATURE RANGE

-20°C ÷ +85°C

(P_{MAX} 5W, F 60KHZ, WITH SELF TRISE 45°C)

THERMAL CLASS

B

STORAGE TEMPERATURE RANGE

-20°C ÷ +85°C

INSULATION PRIMARY / SECONDARY

4kV

(F 50HZ, TIME 2", TA 20°C)

MAX DIMENSIONS

21x26.5x16 mm

WEIGHT

8g ABOUT

PIN FUNCTION

PIN (*)	FUNCTION	PIN (*)	FUNCTION
1	PRIMARY+VB 400VMAX	6 _A	GROUND SECONDARY +5V 1A
2	NO CONNECTED	7 _A	GROUND SECONDARY +5V 1A
3	DRAIN PRIMARY	8 _B	SECONDARY +5V 1A
4	GROUND PRIMARY	9 _B	SECONDARY +5V 1A
5	AUXILIARY PRIMARY +15V		

(*)PINS THAT HAVE THE SAME LETTER HAVE TO BE CONNECTED TOGETHER IN THE CIRCUIT BOARD



Product Technical Specification

Code : **03571**

Switch Mode Transformer 5W 60kHz 2.2mH 5V

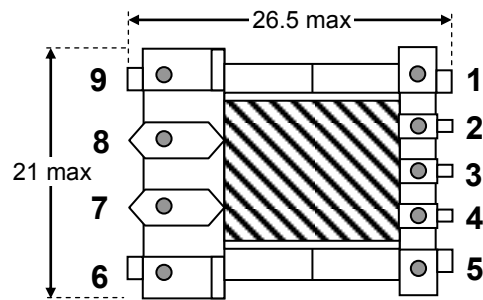
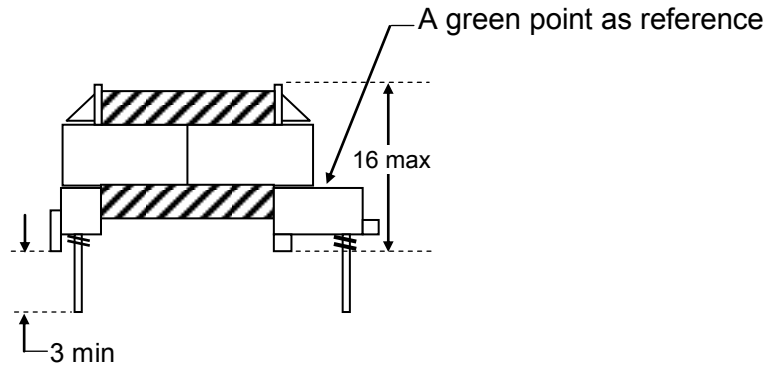
Class Code : **1335.0032**

Date : 30.09.2011 | Revision: 03

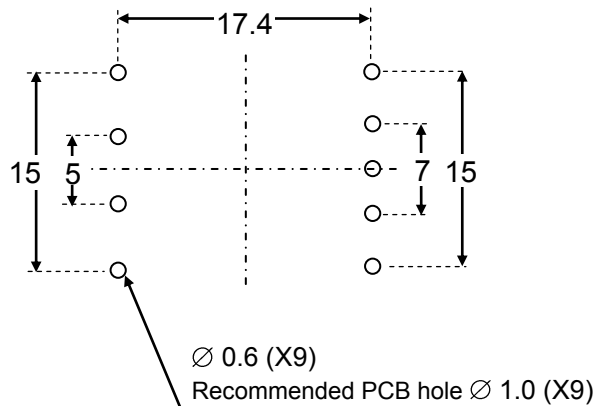
Page 2 of 2

DIMENSIONAL DRAWING

QUOTES IN MILLIMETERS, DRAWING NOT IN SCALE



BOTTOM VIEW (PIN SIDE)



Magnetica
Electromagnetic components
Switch mode power supply

Via Marcora, 20 60022 Castelfidardo (AN)
Tel +39 071 7823855 www.magnetica.eu

Copyright Magnetica, cannot be reproduced even partially without written authorization

STP21 MOR&D0014 REV01 10/01/12